

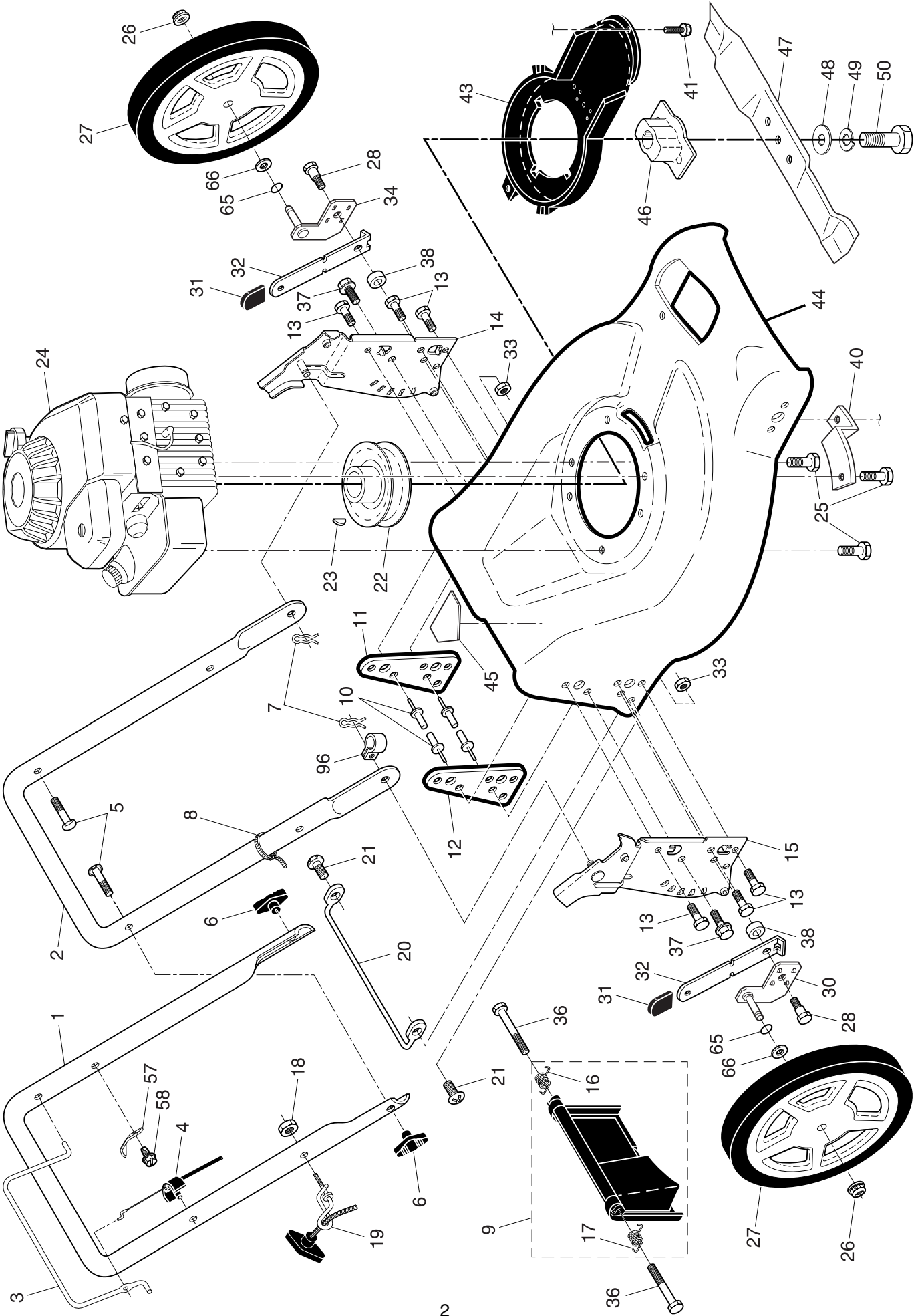
ILLUSTRATED PARTS LIST

MODEL NUMBER PP4051CMD

PRODUCT NUMBER 961 41 01-28

MFG. ID. NUMBER 96141012800

ROTARY LAWN MOWER - - MODEL NUMBER PP4051CMD (96141012800) PRODUCT NUMBER 961 41 01-28

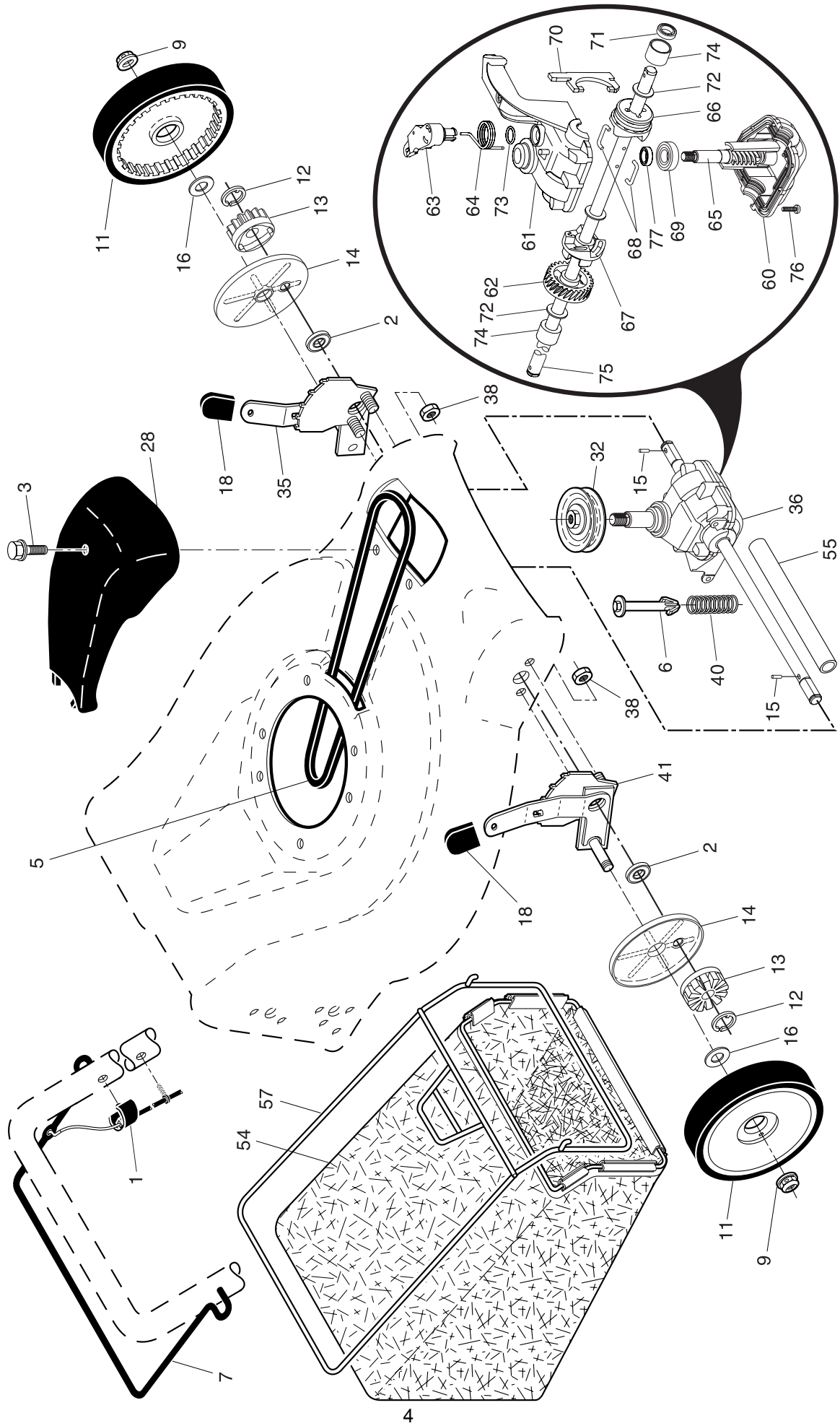


ROTARY LAWN MOWER - - MODEL NUMBER PP4051CMD (96141012800) PRODUCT NUMBER 961 41 01-28

KEY NO.	PART NO.	DESCRIPTION	KEY NO.	PART NO.	DESCRIPTION
1	532 19 84-59	Upper Handle	28	532 16 08-28	Shoulder Bolt 5/16-18 x .33
2	532 15 36-05	Lower Handle	30	532 40 25-71	Axle Arm Assembly, Rear, RH
3	532 19 84-64	Control Bar	31	532 08 78-77	Selector Knob
4	532 18 35-67	Engine Zone Control Cable	32	532 19 01-57	Selector Spring
5	532 19 15-74	Handle Bolt	33	873 80 05-00	Nut, Hex 5/16-18
6	532 19 19-38	Handle Knob	34	532 40 25-72	Axle Arm Assembly, Rear, LH
7	532 05 17-93	Hairpin Cotter	36	532 18 41-93	Bolt
8	532 06 64-26	Wire Tie	37	532 15 00-78	Thread Cutting Screw w/Sems 5/16-18 x 3/4
9	532 18 04-79	Rear Door Kit (Includes Key Numbers 16 and 17)	38	819 11 22-06	Washer
10	532 12 84-15	Pop Rivet	40	532 19 09-39	Mounting Bracket, Debris Shield
11	532 18 25-38	Support Bracket, LH	41	532 19 23-25	Screw, Debris Shield
12	532 18 25-39	Support Bracket, RH	43	532 18 87-84	Debris Shield
13	817 06 04-10	Screw 1/4-20 x 5/8	44	532 40 07-05	Lawn Mower Housing
14	532 18 25-43	Handle Bracket Assembly, LH			(Includes Key Numbers 10, 11, 12 and 45)
15	532 18 25-45	Handle Bracket Assembly, RH	45	532 18 21-66	Danger Decal
16	532 18 00-71	Spring, Rear Door, LH	46	532 18 00-69	Blade Adapter
17	532 18 00-72	Spring, Rear Door, RH	47	532 19 93-77	Blade 21"
18	532 13 20-04	Keps Locknut 1/4-20	48	532 85 10-74	Hardened Washer
19	532 19 47-88	Rope Guide	49	532 85 02-63	Helical Washer 3/8-24 x 1-3/8 Grade 8
20	532 17 92-05	Foot Guard, C.E.	50	532 85 10-84	Hex Head Machine Screw 3/8-24 x 1-3/8 Grade 8
21	532 05 45-83	Screw, Tapping 1/4-20 x 1/2	57	532 12 51-62	Bracket, Upstop
22	532 08 45-96	Engine Pulley	58	532 75 06-34	Screw
23	532 08 76-77	Hi-Pro Key	65	532 19 74-80	O-Ring
24	---	Engine, Briggs & Stratton, Model Number 10E902 (order parts from engine manufacturer)	66	532 08 83-48	Washer, Flat 3/8
25	532 15 04-06	Hex Head Thread Rolling Screw 3/8-16 x 1-1/8	96	532 19 79-91	Clip, Cable
26	532 14 52-12	Hex Flange Nut	--	532 18 21-34	Decal, Self-Propelled, Internal (not shown)
27	532 40 31-22	Wheel & Tire Assembly	--	532 40 46-91	Operator's Manual, Scandinavian
			--	532 40 46-92	Operator's Manual, Baltic

NOTE: All component dimensions given in U.S. inches. 1 inch = 25.4 mm. **IMPORTANT:** Use only Original Equipment Manufacturer (O.E.M.) replacement parts. Failure to do so could be hazardous, damage your lawn mower and void your warranty.

ROTARY LAWN MOWER - - MODEL NUMBER PP4051CMD (96141012800) PRODUCT NUMBER 961 41 01-28



ROTARY LAWN MOWER - - MODEL NUMBER PP4051CMD (96141012800) PRODUCT NUMBER 961 41 01-28

KEY NO.	PART NO.	DESCRIPTION	KEY NO.	PART NO.	DESCRIPTION
1	532 19 46-53	Drive Control Assembly (Includes Cable)	54	532 40 05-59	Grassbag Assembly
2	532 19 10-39	Bearing, Wheel Adjuster	55	532 17 57-39	Driveshaft Cover
3	532 17 52-62	Pan Head Tapping Screw #10-24 x 2-3/4	57	532 19 46-43	Frame, Grassbag
5	532 17 54-36	V-Belt	60	532 18 34-97 *	Case, Lower
6	532 15 04-95	Spring Retainer	61	532 18 34-98 *	Case, Upper
7	532 19 84-53	Control Bar, Drive	62	532 18 34-99	Gear, 27 Teeth
9	532 08 39-23	Locknut, Hex	63	532 18 35-00	Lever, Clutch
11	532 19 80-88	Wheel & Tire Assembly	64	532 18 35-01	Spring, Return
12	812 00 00-58	E-Ring	65	532 18 35-02	Shaft, Input
13	532 75 00-03	Pinion	66	532 18 35-03	Dog, Movable
14	532 18 94-03	Dust Cover	67	532 18 35-04	Dog, Fixed
15	532 19 10-17	Pawl, Drive	68	532 18 35-05	Wire, Formed
16	532 06 77-25	Washer 1/2 x 1-1/2 x .134	69	532 18 35-06	Bearing, Ball
18	532 08 78-77	Selector Knob	70	532 18 35-07	Fork, Shift
28	532 19 58-81	Drive Cover	71	532 18 35-08	Seal, Output Shaft
32	532 19 41-26	Drive Pulley	72	532 18 35-09	Washer
35	532 19 51-10	Kit, Wheel Adjuster, LH (Includes Knob and Bearing)	73	532 18 35-10	Seal, Case
36	532 19 49-35	Gear Case Assembly, Complete	74	532 18 35-11	Bushing
38	873 80 04-00	Locknut, Hex 1/4-20	75	532 19 66-13	Shaft, Output
40	532 13 70-90	Spring	76	532 18 35-13	Screw
41	532 19 51-07	Kit, Wheel Adjuster, RH (Includes Knob and Bearing)	77	532 18 35-14	Seal, Input Shaft

* Use Dow Corning #709 to reseal Gear Case Halves.

NOTE: All component dimensions given in U.S. inches. 1 inch = 25.4 mm. **IMPORTANT:** Use only Original Equipment Manufacturer (O.E.M.) replacement parts. Failure to do so could be hazardous, damage your lawn mower and void your warranty.